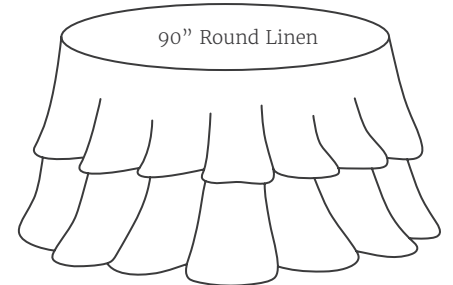


ROUND LINENS

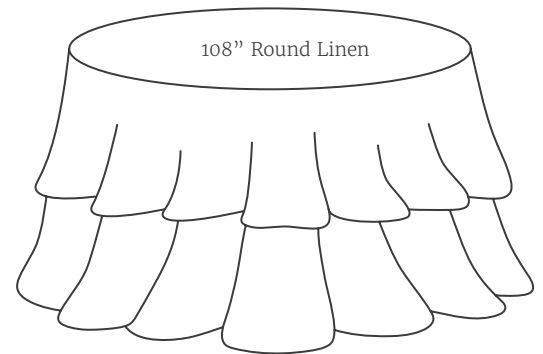
- 90" Round Fits 60" round table to seat
Fits 30"w x 30"h cocktail table
- Fits 72" round table to seat
Fits 48" round table to floor
- 108" Round Fits 4' to 5' rectangle table to floor
Fits 30"w x 18"h round children's table, tied to base
Fits 30"w x 30"h square cocktail table to floor
Fits 36"w x 30"h round cocktail table to floor
- 60" round table to floor
30"w x 18"h square children's table, tied to base
- 120" Round 30"w x 30"h round cocktail table, tied to base
30"w x 42"h bistro table to floor
36"w x 18"h round children's table, tied to base
- 72" round table to floor
60" square table to floor
- 132" Round 30"w x 42"h round bistro table, tied to base
36"w x 42"h round bistro table to floor
30"w x 42"h square bistro table to floor

60" ROUND TABLE



120" Round Linen

72" ROUND TABLE

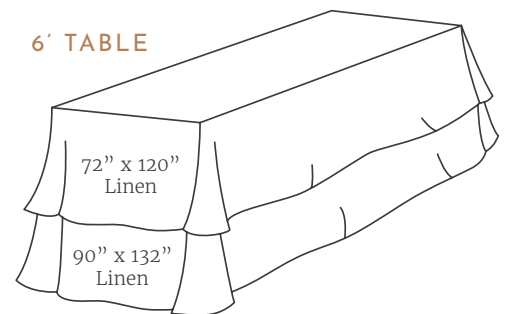


132" Round Linen

RECTANGLE LINENS

- 72" x 120" Fits 6' rectangle table to seat
Fits 8' rectangle table to seat
- 90" x 132" Fits 6' rectangle table to floor
- Fits 8' rectangle table to floor
- 90" x 156" Lounge or Children's table, wrapped under to fit

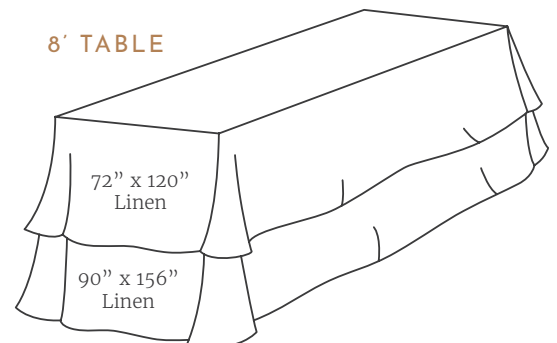
6' TABLE



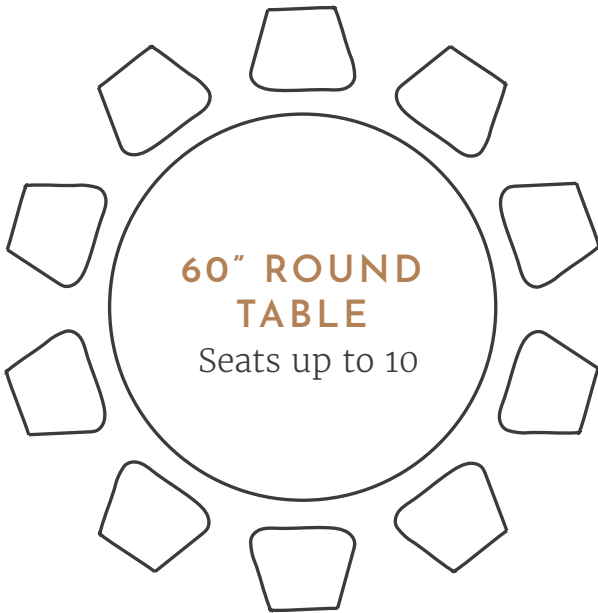
ACCENT LINENS

- 54" x 54" Drapes 3" over edge of 48" round table
Fits 6" inside 60" round or square table
Fits 18" inside 72" round table
- 72" x 72" Drapes 6" over edge of 60" round or square table
Fits squarely on 72" round table
- 90" x 90" Drapes 9" over 72" round table
- 120"-170" Runners Runner for round or rectangle tables
Tie for wood folding chair or chiavari chair
Tie for cocktail or bistro table

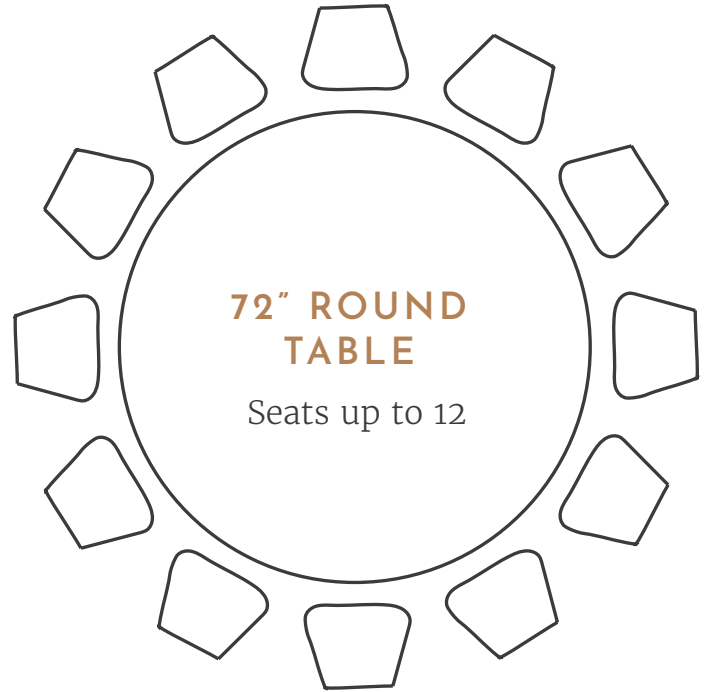
8' TABLE



RESOURCES
Seating Charts



120" round linen will hang to the floor.
90" round linen will hang to the seat.



132" round linen will hang to the floor.
108" round linen will hang to the seat.



90" x 132" rectangle linen will hang to the floor.
72" x 120" rectangle linen will hang to the seat.



90" x 156" rectangle linen will hang to the floor.
72" x 120" rectangle linen will hang to the seat.